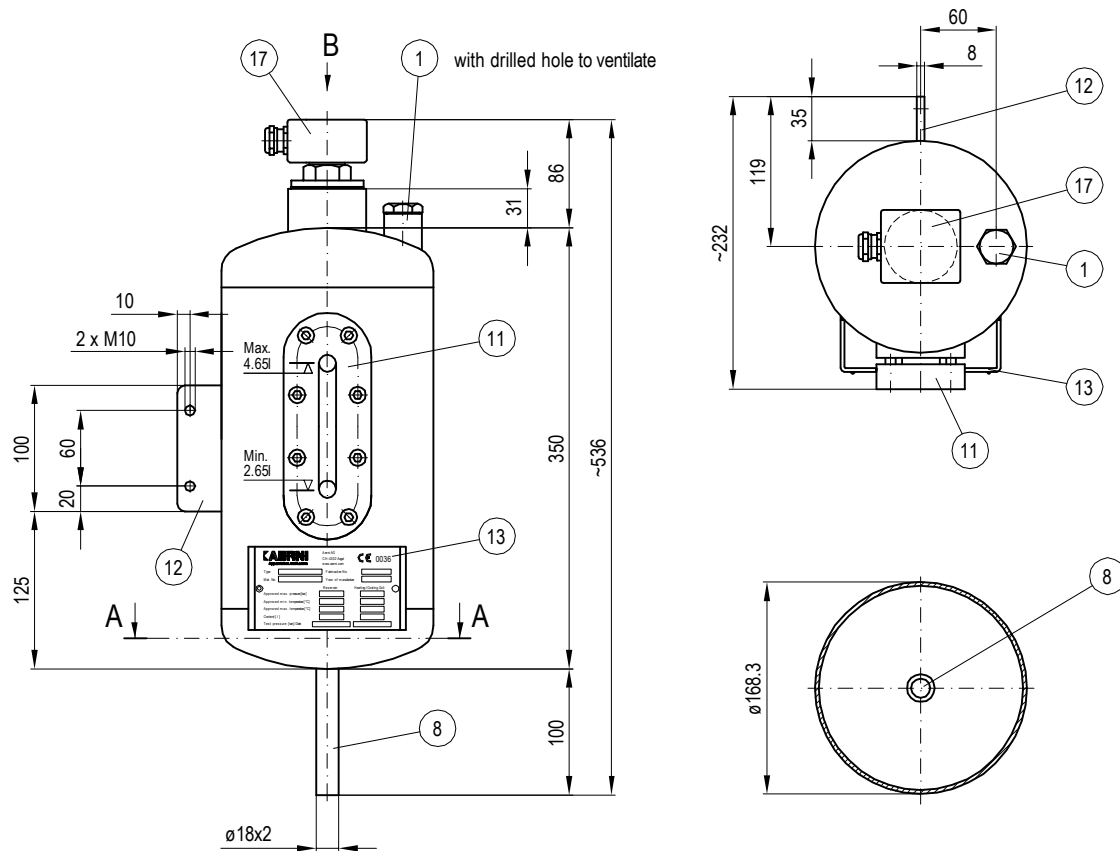


Ansicht B
View B/Vue B



Schnitt A-A
Cut A-A/Coupe A-A

The positions of the connections and the console are according to view B
Construction and fabrication according to the rules of AD 2000 at the present valid version

Technical data vessel

Reservoir total contents:	6 l
Reservoir usable contents:	4 l
Admitted working pressure:	23 bar
Admitted working temperature:	200 °C
Weight:	9 kg

Position of nozzels and parts (Index)

- 1 Inlet connection with plug G 1/2"
- 2 -
- 3 -
- 4 -
- 5 -
- 6 -
- 7 -
- 8 Outlet connection \varnothing 18x2mm
- 9 -
- 10 -
- 11 Inspection glass long shape 115x14mm
- 12 Clamping plate
- 13 Specification plate
- 14 -
- 15 -
- 16 -
- 17 Level switch G 1 1/2" type Kübler Min. (L=205) Max. (L=145)
- 18 -
- 19 -
- 20 -
- 21 -
- 22 -

Materials

Reservoir:	Stainless steel 1.4435/1.4404/1.4571
Joints: <input type="checkbox"/> Durlon 8500 (green) <input type="checkbox"/> Durlon 9000 (white) Inspection glass: Inspection glass cap:	Maxos DIN 7081 Stainless steel 1.4435
Surface:	Outside and inside pickled

Recipient Vessel

Type AFV 6L

MB-5435.00E

Index:

Drawn: 08.10.2001 DM Exemined: 08.10.2001 Ma last rev.:

Customer: